



# Omniterm FCX Contact Repeater

Omniterm Bidirectional Fibre Optic SIL2 Contact Repeater

Model Number  
**C2477A**

## DATASHEET

- Send digital contacts over a Fibre Optic link.
- One contact each way on a fibre pair.
- 850nm multi-mode / 1310nm single mode options
- Distance up to 20km on single mode fibre
- Potential free contacts in and out
- 10-30Vdc powered
- Fail-safe 1oo2 safety circuit configuration
- Certified to IEC61508 SIL2 Safety Standard



### Features

- DIN Rail or surface mountable
- Narrow 22.5mm module width
- 10-30Vdc powered

- Multi mode 850nm or single mode 1310nm
- 0-60°C operating temperature range
- CE and UKCA Mark Compliant

### Overview

The OMNITERM FCX module provide the ability to safely send contact signals in both directions up to 20km over optical fibre. Connect two FCX modules together over a duplex fibre optic link and when the contact on the one module is closed, the relay output on the other module will be energised.

LED indication is provided to show the state of the input and output contacts, the presence of instrument power, and any detected fault condition within the module.

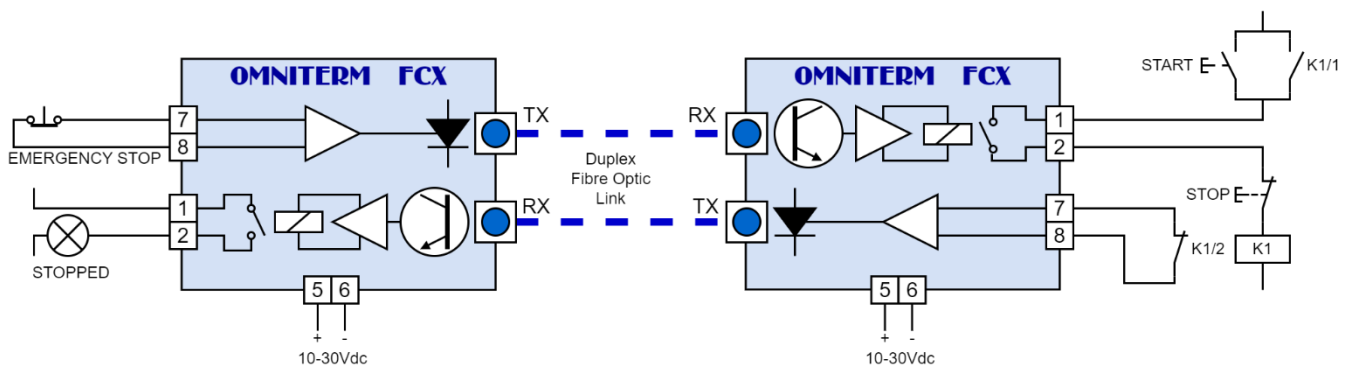
### Fail Safety

Fail safety is a key feature of the design. This allows this module to be used, for example, for remote stop or interlock functions over a fibre network. The FCX must be used in de-energise (contact open) to trip circuits for fail-safe operation.

### The Omniterm Range

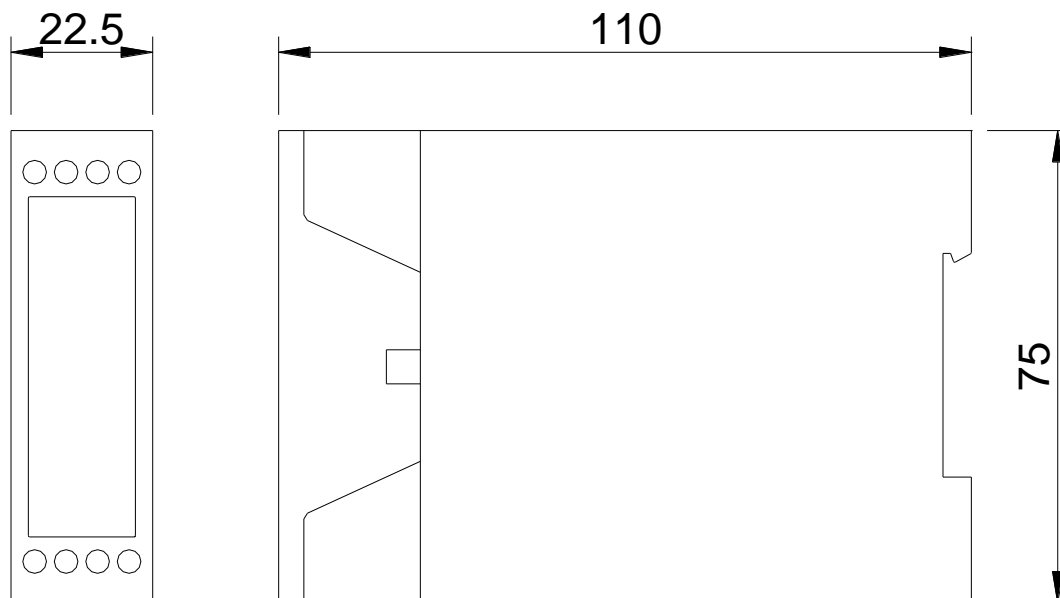
Forming part of Omniflex's extensive Omniterm range of industrial instrumentation, the Omniterm FCX is designed to be DIN rail or surface mounted and is an economical 22.5mm wide with a wide operating power supply range of 10-30Vdc.

## Typical Application Example



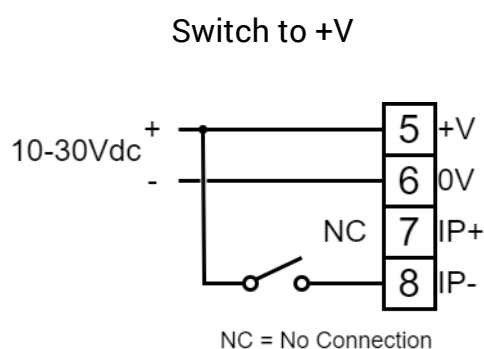
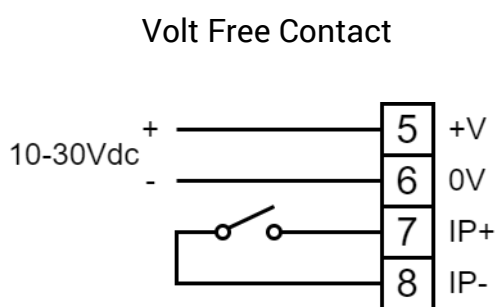


## Mechanical Dimensions



## Input Wiring Options

The input to the FCX can be wired in the following ways and retain the fail-safety nature of the circuit:





# Omniterm FCX Contact Repeater

## Omniterm Bidirectional Fibre Optic SIL2 Contact Repeater

Model Number  
**C2477A**

### Specifications

#### Power Supply

Operating Range	10-30Vdc
Supply Current	150mA maximum

#### Input

Type	Volt free Contact (Switch to +V to operate)
Open circuit voltage	30Vdc maximum
Closed circuit current	<10mA
Allowable Series resistance	50 ohms maximum

#### Output

Type	Form A contact
Switching voltage	125Vac / 60Vdc max.
Switching current	0.5A max.
Mechanical Life	5,000,000 operations
Electrical Life	100,000 operations at full load

#### Optical Link

Model	C2477A-1	C2477A-2
Centre Wavelength	850nm	1310nm
Transmission mode	Multi-mode	Single mode
Connector	SC	SC
Tx Output Power	-12dBm min -9dBm typical -6dBm max	-7dBm min, -5dBm typical -3dBm max
Rx Sensitivity	-16dBm max	-20dBm max
Rx Overload	-12dB min	-7dBm min
Extinction Ratio	9dB min	9dB min
Min. Power Budget	-4dBm min	-13dBm min
Example Distance	1km @ 3.5dB/km	10km @ 1dB/km
Distance Calculation	Distances shown are calculated using typical cable attenuation. Actual distance achieved will also depend upon cable splices and additional connectors.	

#### Compliance to Standards

Functional Safety	Designed to meet both IEC61508 SIL1 and Sil2
Human Safety	IEC 60950
Immunity – ESD	IEC 61000-4-2 4kV
Immunity – RF Fields	IEC 61000-4-3 10V/m
Immunity – Fast Transients	IEC61000-4-4 2kV dc power, 1kV inputs/outputs
Emissions	EN55011 Group I, Class A

#### Reliability Data

MTBF	TBC years
PFD (TI = 1 year)	TBC
SFF	TBC %

#### Temperature

Storage	-10 to +70 °C
Operating	0 to 60 °C

#### Weight

Unpacked	140g approx.
Packed	165g approx.

#### Housing

Width	22.5mm (1.18")
Height	75mm (2.95")
Depth (from panel)	110mm (4.33")

### Ordering Information

ORDER CODE	PRODUCT NAME	DESCRIPTION
C2477A-1	Omniterm FCX (850nm)	Omniterm FCX Bidirectional Fibre Optic SIL2 Contact Repeater (850nm multi-mode)
C2477A-2	Omniterm FCX (1300nm)	Omniterm FCX Bidirectional Fibre Optic SIL2 Contact Repeater (1300nm single mode)

