



MAXIFLEX 32DI Module

Model M1326A 32 Channel 24Vdc Digital Input Module (Positive Common).

DATASHEET



FEATURES

- Fits in any MAXIFLEX base I/O slot
- 32 Digital Inputs with positive common (switch to 0V).
- 2 off 20 way Ribbon Header connectors
- Hot Plug-in
- In system automatic module detection

The M1326 32DI module provides 32 digital inputs. The input circuitry is powered externally from 24Vdc.

The module may be inserted into any I/O slot in a Maxiflex system.

All inputs are opto-isolated from the system logic.

Inputs are connected via two twenty-way insulation displacement ribbon cable headers. These ribbon headers are compatible with the recommended C6320

DIN-rail mounted Termination Board as well as other OMNIFLEX products equipped with the OMNIFLEX standard ribbon header pinout such as the Omni16 annunciators and displays.

The module can be inserted or removed while the system is powered.

Auto-detection capability allows the CPU to recognise the presence of this module in the system.

SPECIFICATIONS

Inputs

Number	32 Digital (On/Off)
Type	Positive Common (switch to 0V)
Isolation	100% tested to 1500Vac, 50/60Hz for 1 minute - all inputs to logic
Insulation Resistance	1000MΩ min. at 500Vdc
Input Response time	5 milliseconds typical
Indication	Green module OK LED. (Individual channel indication on C6320 Termination Board.)
External Supply Voltage and input voltage range	18-30Vdc
'On' current per input	3.5mA at 24Vdc
Input voltage for Input Off	2Vmax
Input voltage for Input On	8Vmin

Input Termination

Type	Two 20 way 1.27mm pitch insulation displacement ribbon cable headers
------	--

Environmental

Operating Temperature	-25°C to +60°C (-13°F to +140°F)
Storage Temperature	-40°C to +70°C (-40°F to +158°F)
Humidity	95% max. at 40°C (104°F) non-condensing.
Protection	Electronics conformally coated

Power Consumption

From Logic Power Supply	80mA from 5Vdc supply max. 0mA from 12Vdc supply
From +24Vdc Power Supply	150 mA max with all inputs on

Mass

Excluding Packaging	232g (8.2oz)
Including Packaging	320g (11.3oz)

Ordering Information

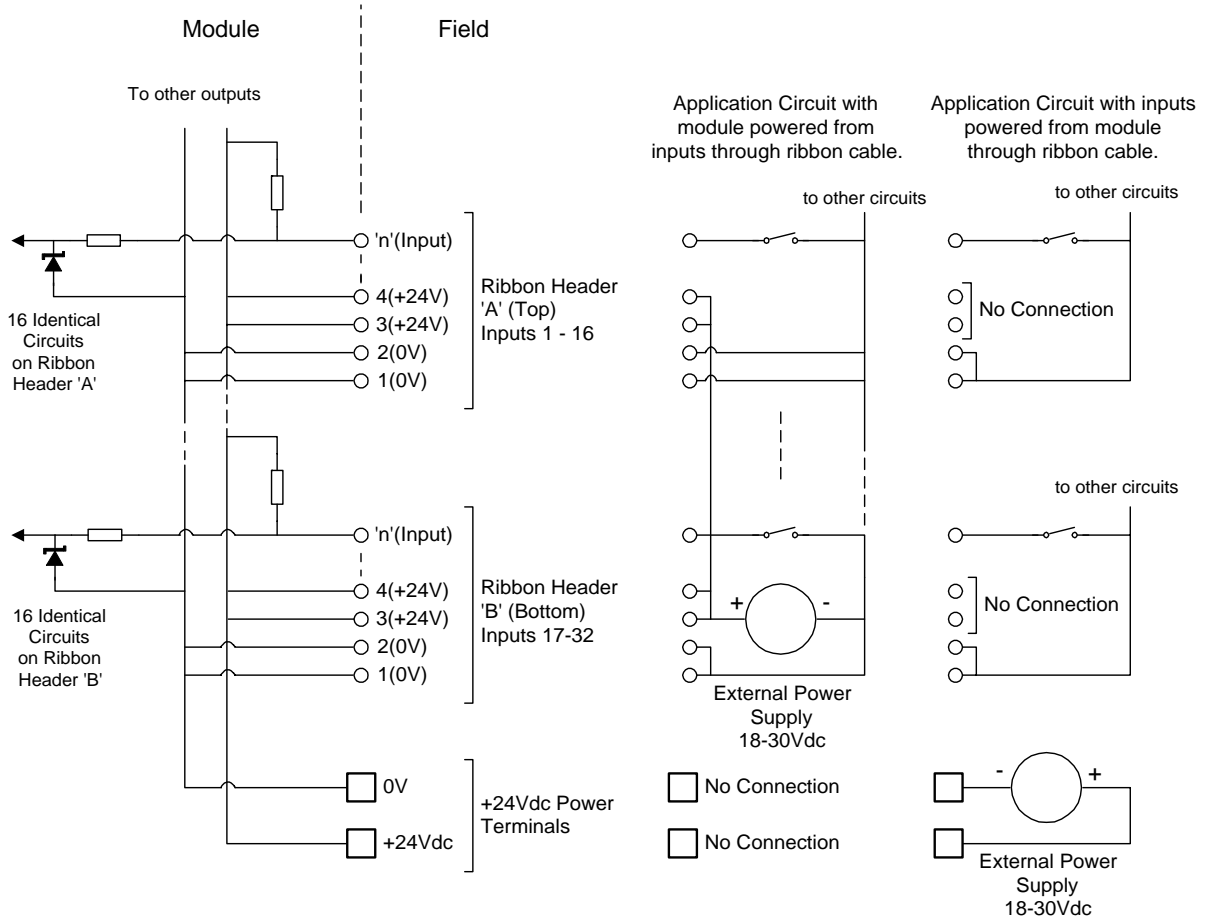
Model Name	Order Code
Maxiflex 32DI Module	M1326A



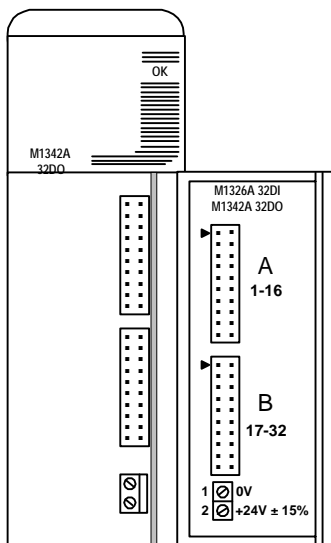
MAXIFLEX 32DI Module

Model M1326A 32 Channel 24Vdc Digital Input Module (Positive Common).

ELECTRICAL CONNECTIONS

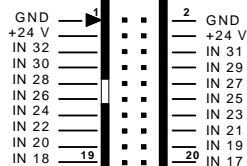
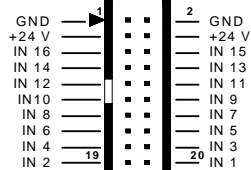


MODULE LAYOUT



RIBBON CABLE HEADER PINOUT

Ribbon Header Pinouts



Pin No.	Header 'A' Description	Header 'B' Description
1	0 Volts	0 Volts
2	0 Volts	0 Volts
3	24 Volts	24 Volts
4	24 Volts	24 Volts
5	Input 16	Input 32
6	Input 15	Input 31
7	Input 14	Input 30
8	Input 13	Input 29
9	Input 12	Input 28
10	Input 11	Input 27
11	Input 10	Input 26
12	Input 9	Input 25
13	Input 8	Input 24
14	Input 7	Input 23
15	Input 6	Input 22
16	Input 5	Input 21
17	Input 4	Input 20
18	Input 3	Input 19
19	Input 2	Input 18
20	Input 1	Input 17